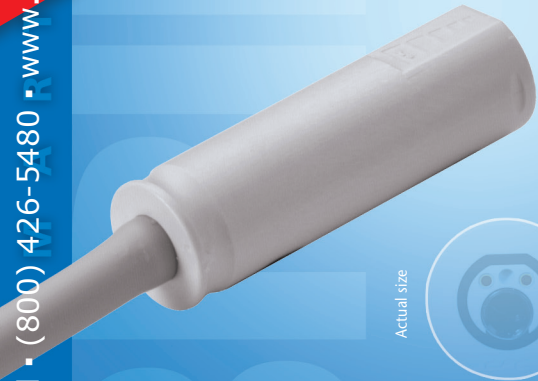


NEW!



MINI HYBRID CONNECTORS

The Mini Hybrid from Colder integrates air lines and electronics into a compact, single connection point for remote tools on medical devices and equipment, reducing misconnections and enhancing patient therapy outcomes. Based on Colder's unique Hybrid Connector technology, the valved Mini Hybrid has a smaller form factor and is ideal for use in low-pressure applications where ease of use and ergonomics are important. This groundbreaking connector technology eliminates the need for multiple connections and allows clinicians or therapy patients to quickly and easily change or replace modular tools, umbilicals or hand pieces that require power, signal and gases.



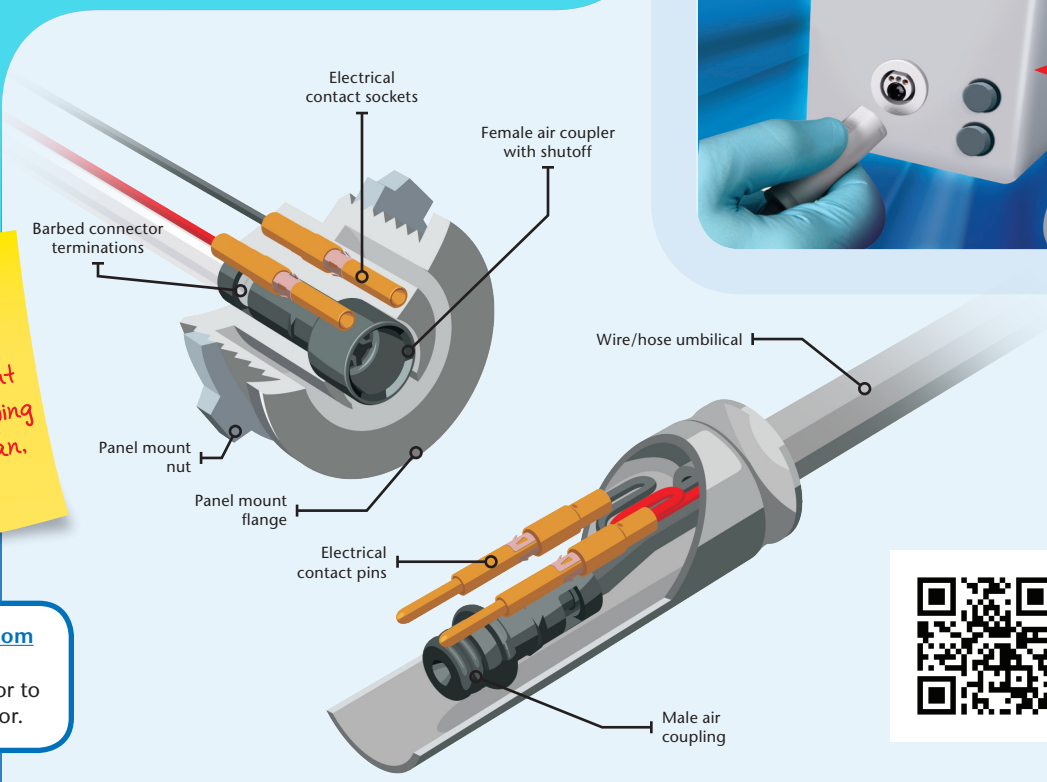
Actual size



Features	Benefits
Single connection point for air and power connections between a device and its controller	Increases safety and makes systems more user friendly
Easy-to-use breakaway design	Quick, automatic disconnect
Valve on panel mount side	Prevents loss of pressure upon disconnect
Turnkey solution	Reduces multiple components
Off-the-shelf assembly	Minimizes engineering design and manufacturing effort
Custom options available	Meets your unique requirements



from complex to simple

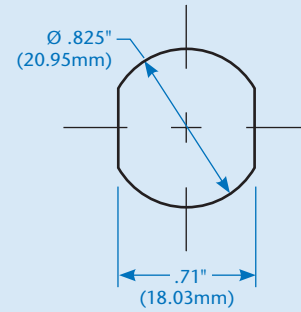
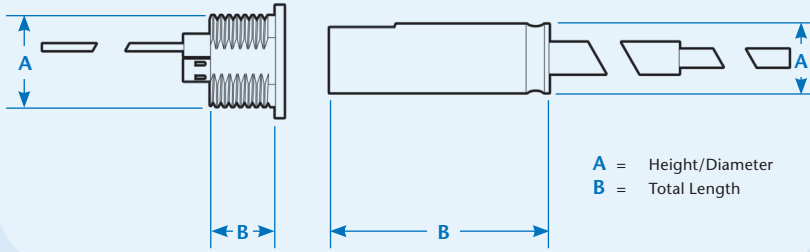


BREAKAWAY DESIGN
 Disconnects when pull force is applied without pressing a latch, allowing users to make a clean, fast break.

Visit us at www.colder.com or call 651-645-0091 to get a free catalog CD or to find your local distributor.



Product Dimensions



Connector Specifications

Pressure: Vacuum to 25 psi, 1.7 bar

Temperature: 40°F to 80°F
(4°C to 26°C)

Materials:

External coupler components: PET

Air coupler components: Acetal

Springs: Stainless steel

Panel Mount Nut: Zinc-plated steel

Electrical contacts: Gold-plated brass

Air line: PVC

External umbilical hose: 4 feet
(1219.2mm) PVC

Wire: 22AWG PVC jacket

O-rings: Buna-N

Color: Gray with gray hose

Terminations:

Panel: 1/16" (1.6mm) hose barb and two 22AWG wires with 11" (279.4mm) pigtail

Umbilical: 1/16" (1.6mm) ID PVC tube and two 22AWG wires with 3" (76.2mm) pigtail

Number of air lines: 1

Electrical Specifications

Voltage: Up to 24VDC

Current: Up to 3 Amps

Wire: 22AWG with PVC jacket

Number of contacts: 2

Coupling Hose

POLYPROPYLENE

CONFIGURATION	FLOW PATH	PART NO.	A	B
HOSE	1/16" ID (1.6mm)	MHQC17000	.62 (15.75mm)	2.00 (50.8mm)



Coupling Panel

CONFIGURATION	FLOW PATH	PART NO.	A	B
PANEL MOUNT	1/16" ID (1.6mm)	MHQC42000	.825 (20.95mm)	.60 (15.24mm)



Visit us at www.colder.com/hybridmovie or scan the QR code with your smart phone to navigate directly to a web page where you can view the Hybrid Technology.



Colder Products Company®
Quick Couplings & Fittings for Plastic Tubing

Colder Products Company
1001 Westgate Drive
St. Paul, Minnesota 55114
U.S.A.

Phone: 651-645-0091
Fax: 651-645-5404
Toll Free: 800-444-2474
info@colder.com
www.colder.com

Colder Products Company GmbH
Schmalweg 50
D-55252 Mainz-Kastel
Germany

Phone: +49-6134-2878-0
Fax: +49-6134-287828
Toll Free: 00800 600 50000
cpcgmbh@colder.com
www.colder.com

Colder Products Company Limited
Room 1503, 15/F, SBI Center
54 – 58 Des Voeux Road Central
Hong Kong

Phone: 852-2987-5272
Fax: 852-2987-2509

asiapacific@colder.com
www.colder.com

WARRANTY: All sales are subject to Colder Products Company's limited express warranty set forth in the Colder catalog. Contact your local distributor or Colder Customer Service for warranty provisions.
Warning: Due to the wide variety of possible fluid media and operating conditions, unintended consequences may result from the use of this product, all of which are beyond the control of Colder. It is the user's responsibility to carefully determine and test for compatibility for use with their application. All such risks shall be assumed by the buyer.